

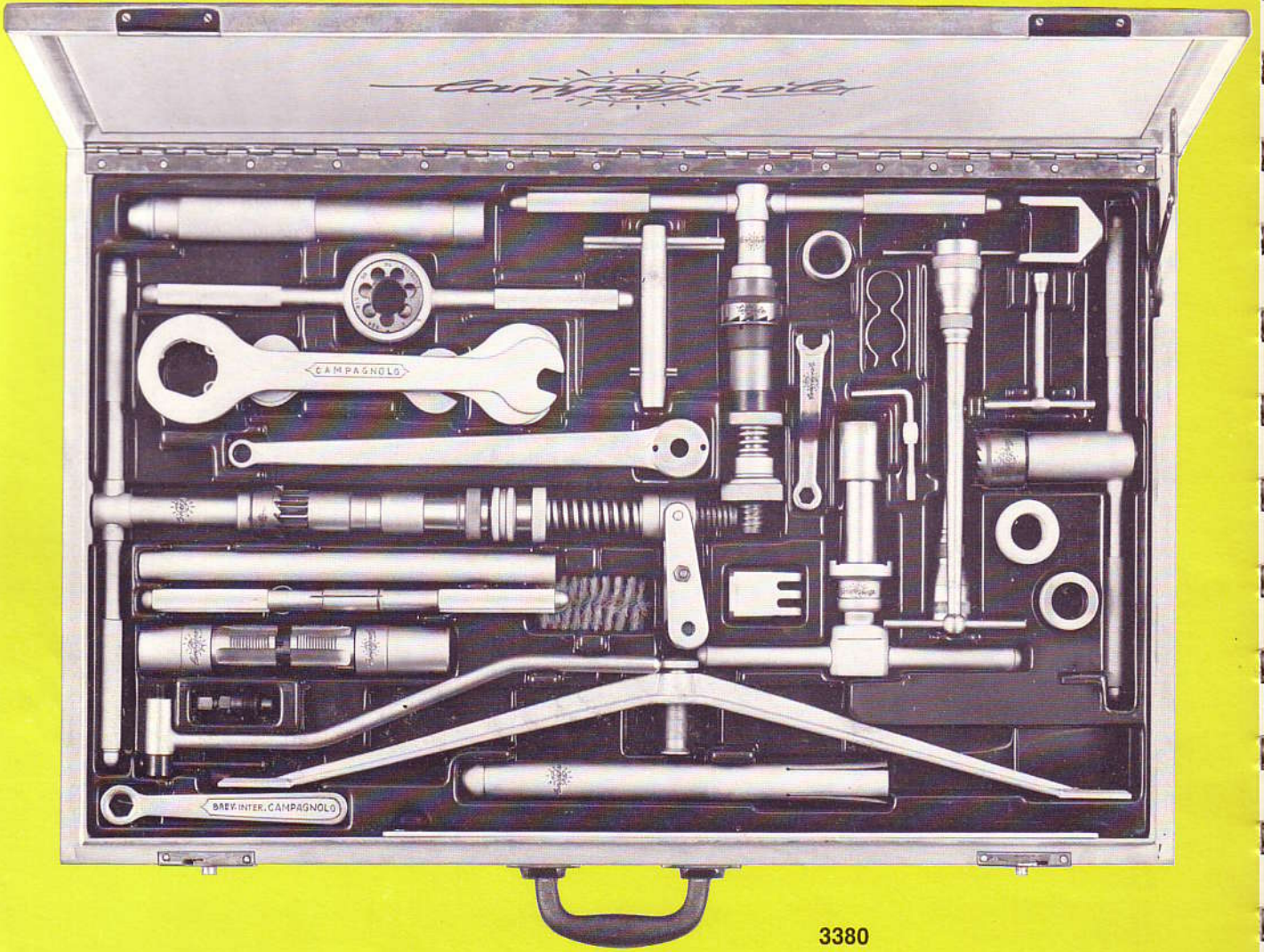
TOOL CASES

pages 84-85-86-87-88

SPECIAL TOOLS AND BICYCLE
ASSEMBLING STAND

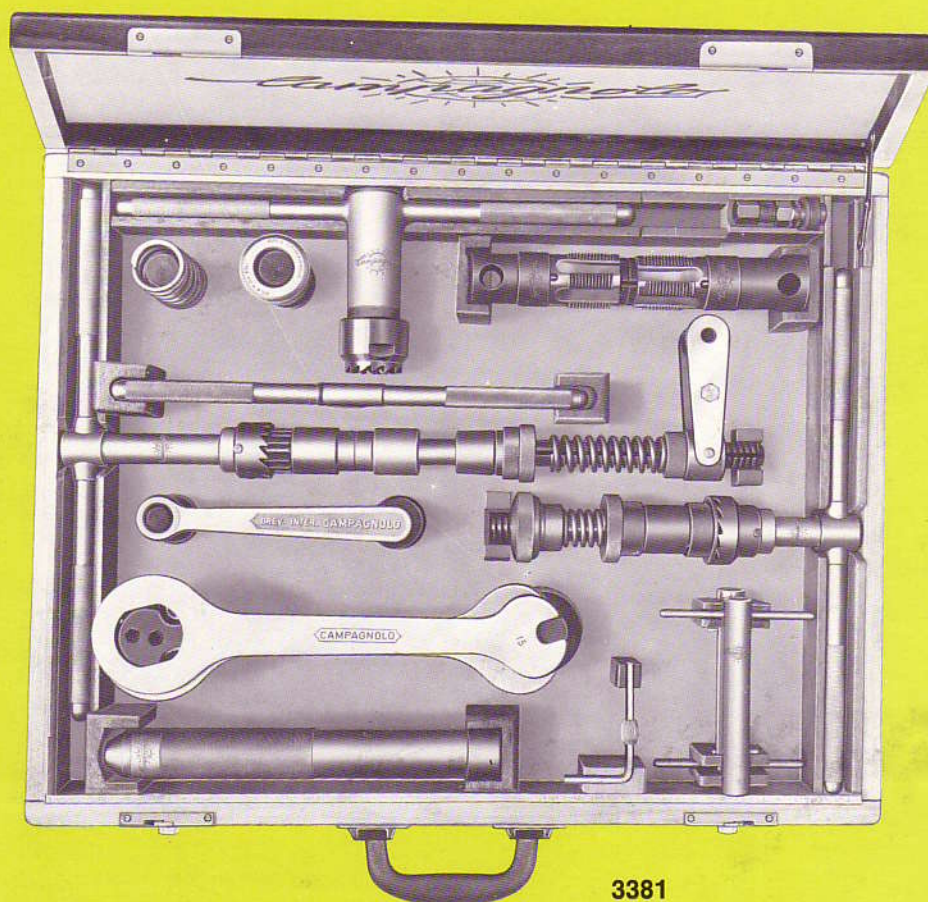
pages 88-89

3380 CAMPAGNOLO COMPLETE TOOL CASE



3381 CAMPAGNOLO REDUCED TOOL CASE

(USED ONLY FOR THE FITTING OF HEAD SET AND BOTTOM BRACKET SET)



3381



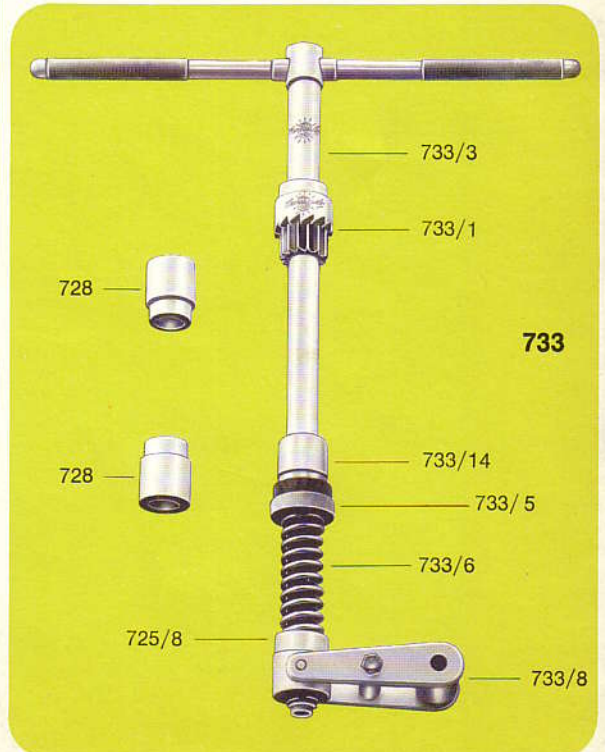
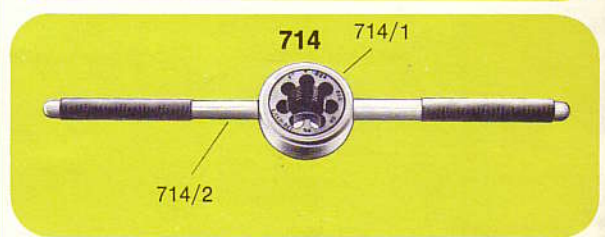
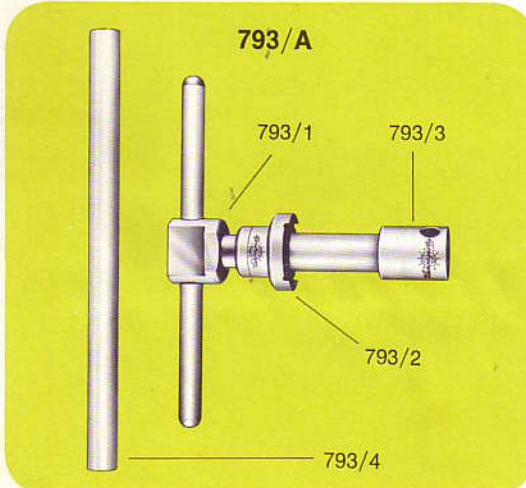
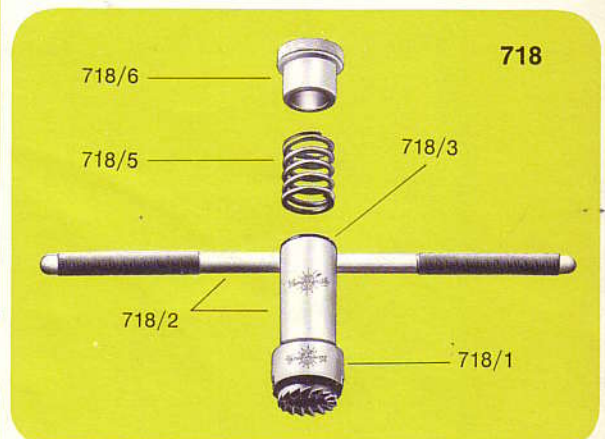
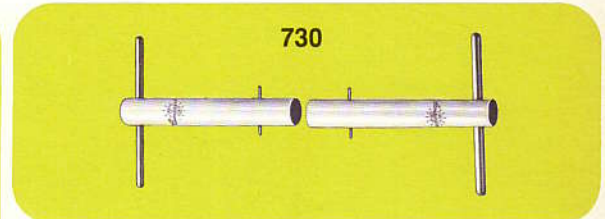
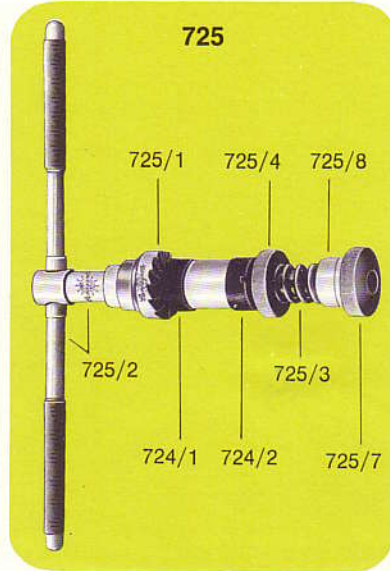
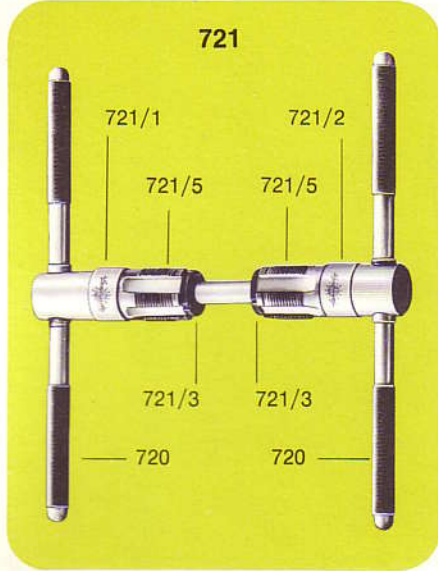
TOOLS CONTAINED IN TOOL CASES 3380 - 3381

P.S. ALL TOOLS MARKED WITH AN ASTERISK (*) ARE THOSE CONTAINED IN THE REDUCED TOOL CASE 3381

- 712 * Bottom bracket locking tool
- 712/1 * Bottom bracket adjusting cup tool
- 712/2 * Spacing spring for 712/1
- 712/3 * Spacing spring for head set tool
- 713 * Bottom bracket fixed cup tool
- 714 * Fork column die (specify size of threading), composed by:

- 714/1 Fork column die (specify size of threading)
- 714/2 Die holder body
- 718 * Crown race cutter, composed by:
- 718/1 * Crown race mill
- 718/2 * Cutter holder with rotation lever
- 718/3 * Guide ring
- 718/5 * Tension spring

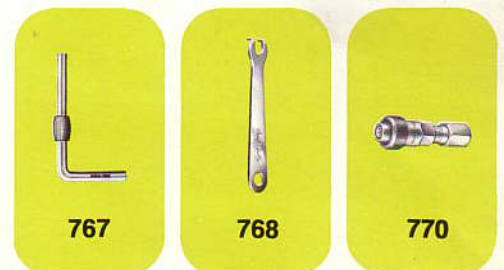
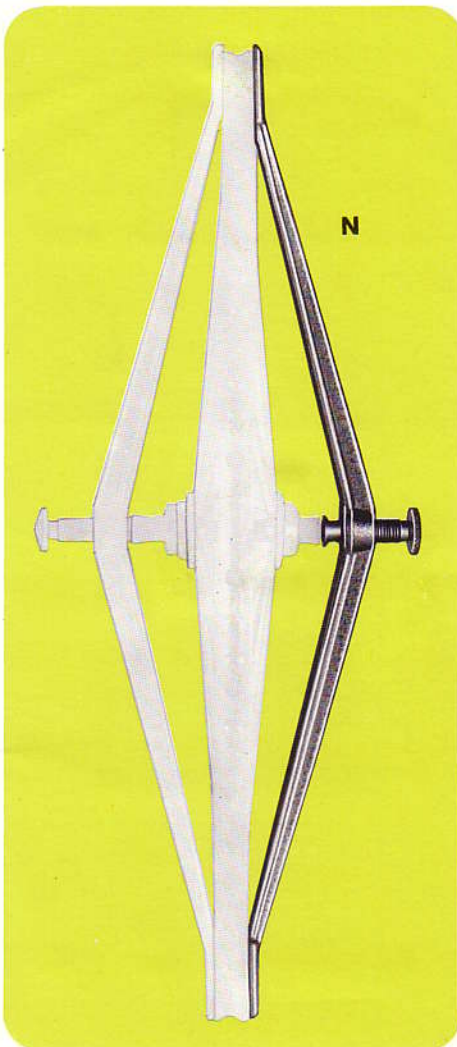
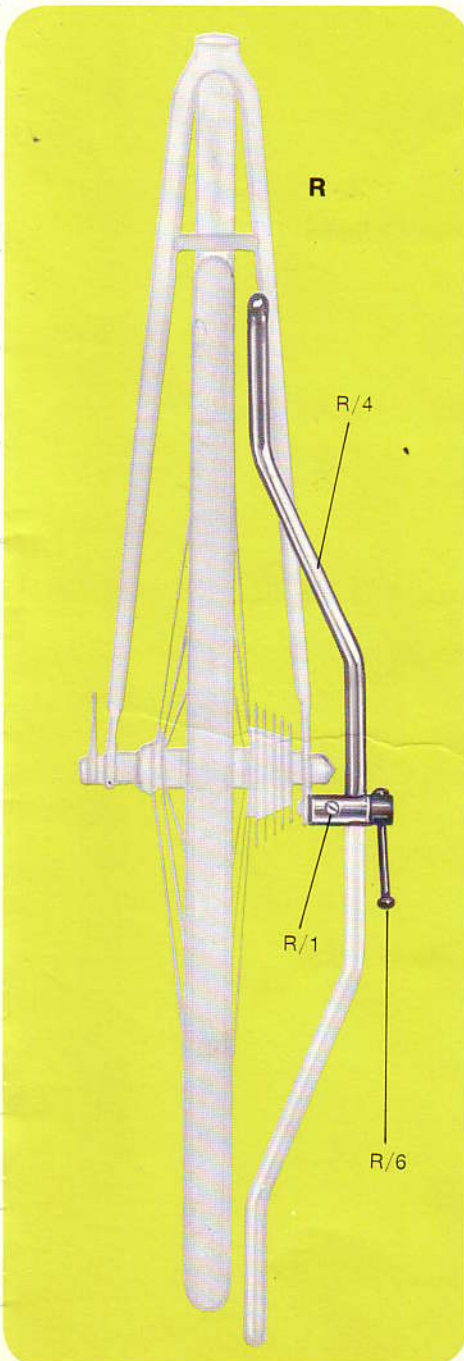
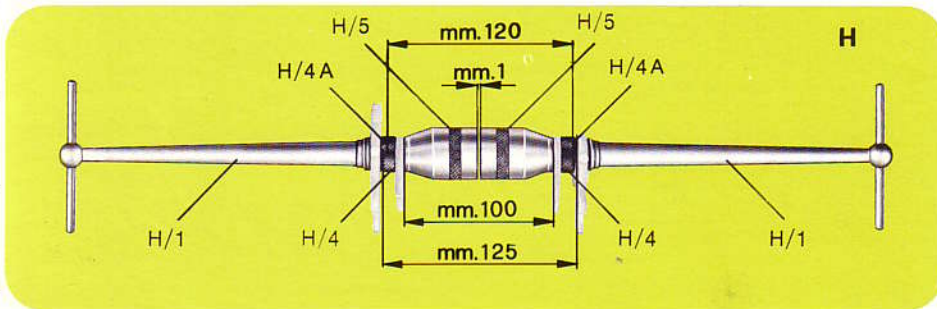
- 718/6 * Threaded locking (specify size of threading)
- 719 Brush
- 721 * Bottom bracket double tap (specify size of threading) composed by:
- 720 * Rotation lever
- 721/1 * Tap body with stem
- 721/2 * Tap body with stem guide hole
- 721/3 * Tap locking nut
- 721/5 * Spare tap (specify size of threading)
- 722 * Headset cup punch
- 723 Headset cup remover
- 725 * Bottom bracket face cutter, composed by:



- 724/1 * Inner threaded guide sleeve for cutter 725 (specify size of threading)
- 724/2 * Outer threaded guide sleeve for cutter 725 (specify size of threading)
- 725/1 * Mill
- 725/2 * Cutter holder stem with rotation lever
- 725/3 * Tension spring
- 725/4 * Washer
- 725/7 * Threaded locking
- 725/8 * Toothed washer
- 729 * Fork crown race remover
- 730 * Set of keys for sleeve 724/1 and 724/2

- 731 Headset jig
- 732 Fork crown jig
- 733 * Head race mill, composed by:
- 725/8 * Toothed washer
- 728 * Sleeve for art. 733
- 733/1 * Head race mill
- 733/3 * Cutter holder with rotation lever
- 733/5 * Washer
- 733/6 * Tension spring
- 733/8 * Lockring stirrup
- 733/14 * Centraliser sleeve
- 767 * « L » shaped chainwheel screw alley key - 5 mm.
- 768 Chainwheel screw peg spanner
- 769 * Cotterless b/b axle spanner
- 770 * Cotterless crank extractor

- 793/A Right hand bottom bracket tool, composed by:
- 793/1 Tool holder body with rotation lever
- 793/2 36 mm. tool
- 793/3 Cutter sleeve
- 793/4 Tube for rotation tool
- G** Straight edge for the alignment of the rudder pedals
- H** Back stay tool for the perfect alignment of forks and fork ends, composed by:
- H/1 Stem with lever
- H/4 Spacer for 120 mm. width
- H/4A Additional spacer for 125 mm. width (to match with spacer H/4)
- H/5 Cup
- I** 14t. freewheel tool, composed by:
- I/2 Ring nut lever holder
- 704 Insert for freewheel removing tool fig. I
- 704/1 Reducing insert tool fig. I for 13t. freewheel.
(This tool is furnished only upon specific request)
- N** Wheel dish tool for checking the centering of the rim to the locknuts of hubs
- R** Back stay tool for checking the hanger of the right hand fork end, composed by:
- R/1 Screw
- R/4 Rotating rod
- R/6 Spindle with lever



(follows at page 88)

(continues from page 87)

- 143/2 T wrench 6-8 mm.
- 710 Pedal wrench
- 771 Saddle spanner
- 2025 Special brake spanner
- P Axle holding tool
- Q Set of tools for cones and locknuts (13-14 mm.).
Upon request the set is furnished with tools 15-16 mm.

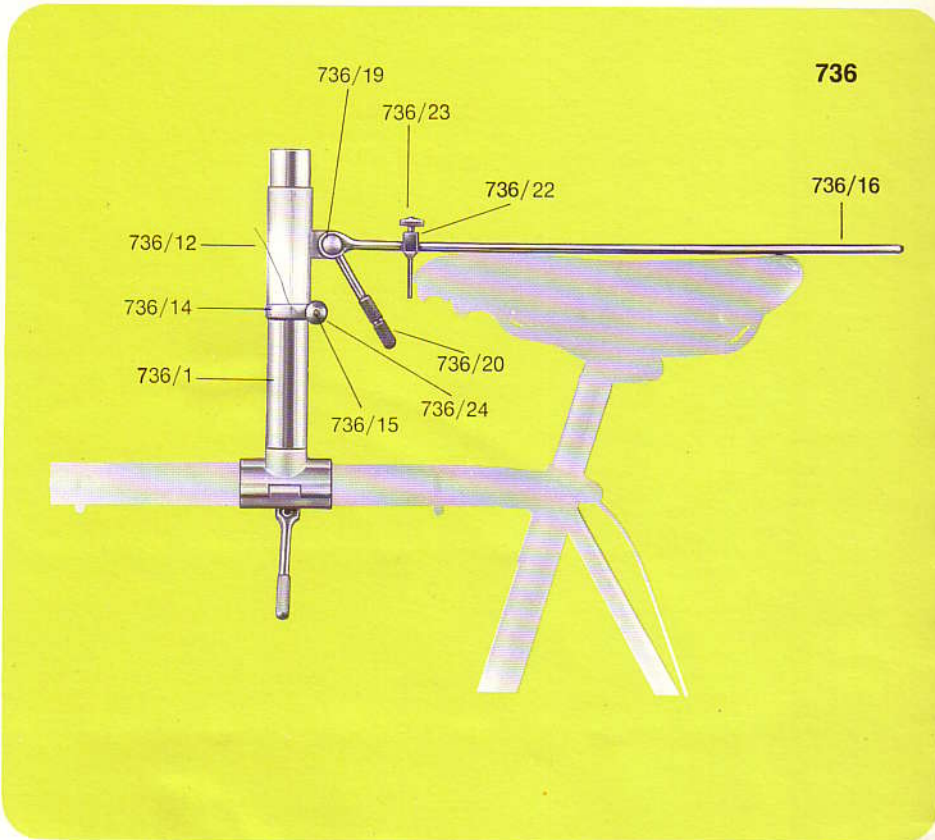
CAMPAGNOLO SPECIAL TOOLS

NON CONTAINED IN TOOL CASES 3380 - 3381

- 705 Pedal tap right hand
Ø 9/16" x 20F. thread
- 706 Pedal tap left hand
Ø 9/16" x 20F. thread
- 707 Gear hanger tap Ø 10 x 26F. thread
- 708 Mudguard eye tap M5 x 0,8
- 709 Rear end adjuster tap M3 x 0,5
- 736 Alignment to maintain in position the saddle when replacing the seat pin and the pin, composed by:
736/1 Stanchion with hinge
736/12 Sliding rod holder
736/14 Sliding adjusting clip
736/15 Clip fixing screw
736/16 Saddle positioning rod
736/19 Rod locking screw
736/20 Rod quick release lever
736/22 Saddle positioning plate
736/23 Plate quick release screw
736/24 Clip locking stirrup
- 1101 Pedal spanner, composed by:
1101/1 Multiple head (15-16-17 mm.)
1101/2 Head locking screw
1101/3 Multiple tool lever



771



736



143/2



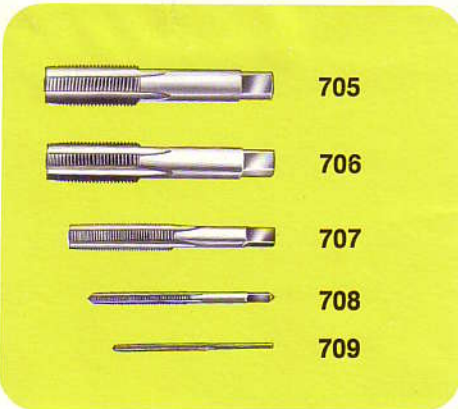
710



2025



P



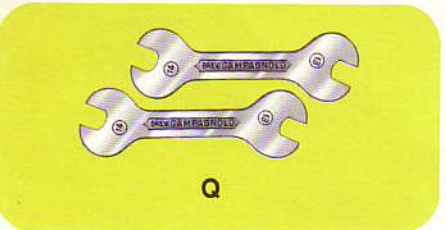
705

706

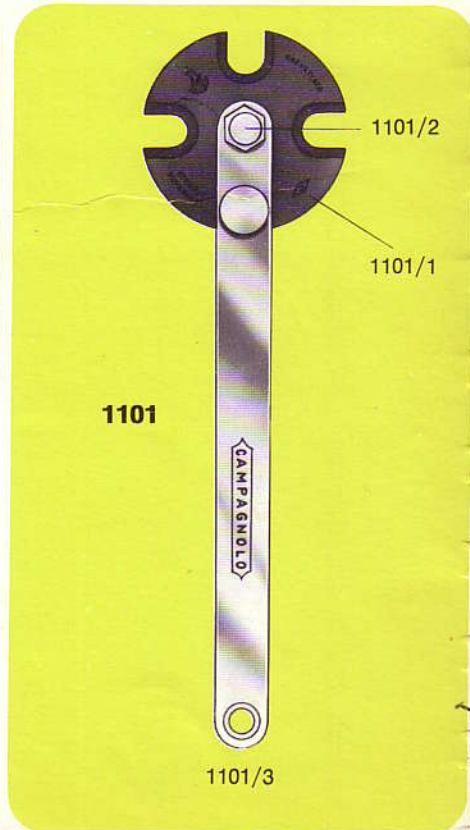
707

708

709



Q



1101

1101/2

1101/1

1101/3

1102 CAMPAGNOLO BICYCLE ASSEMBLING STAND



1102